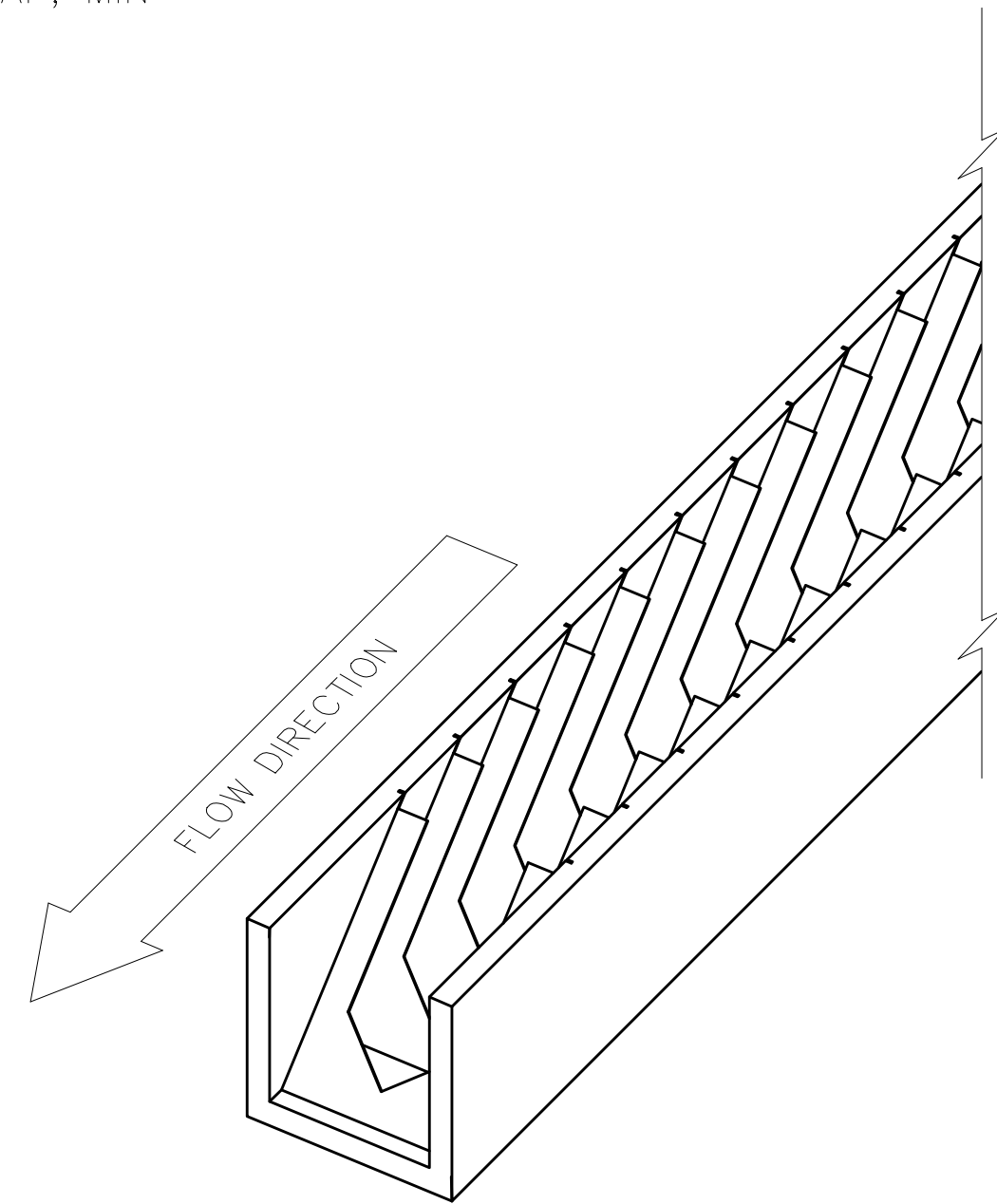
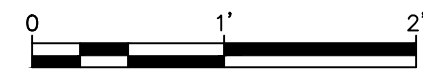
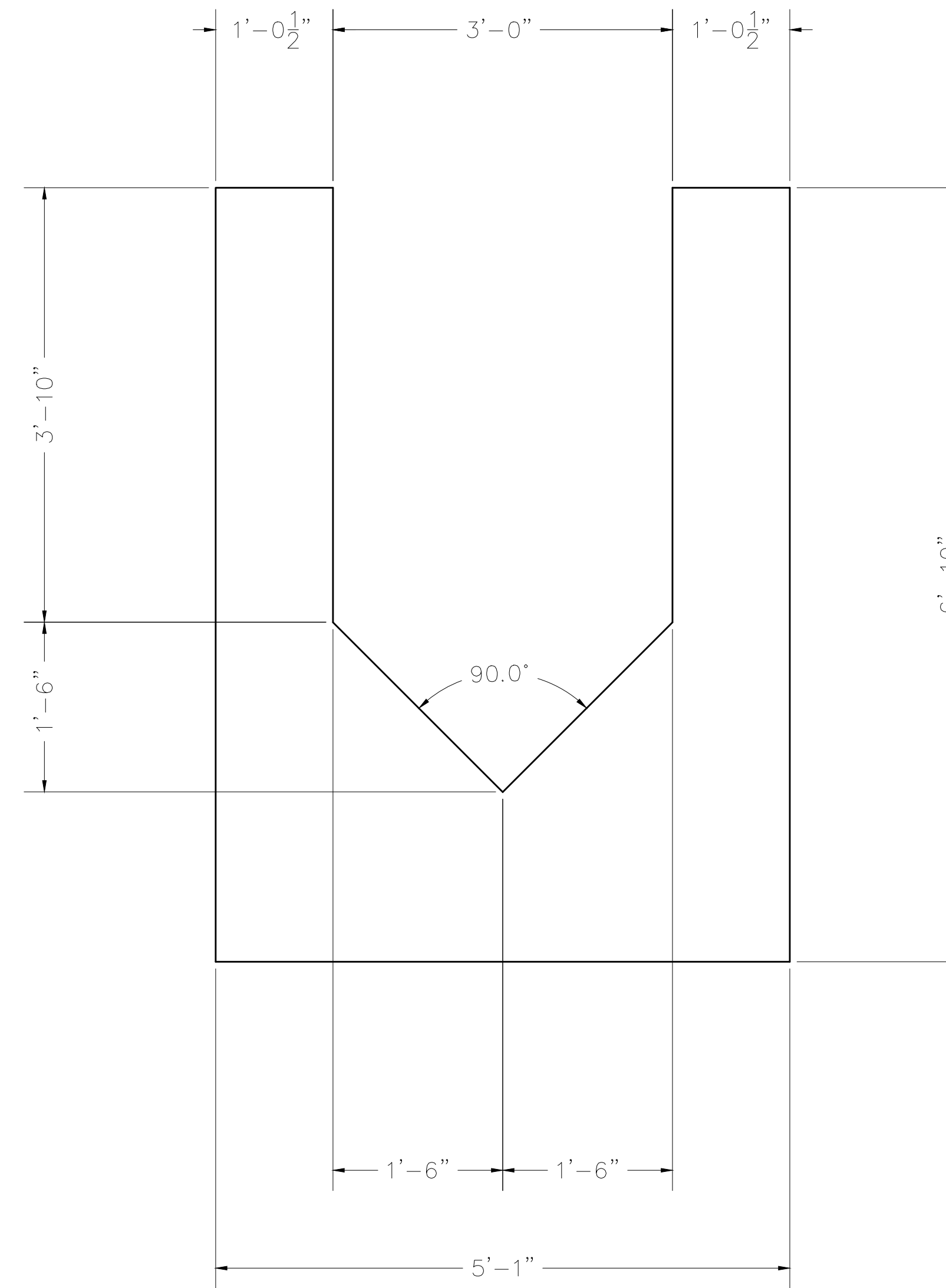


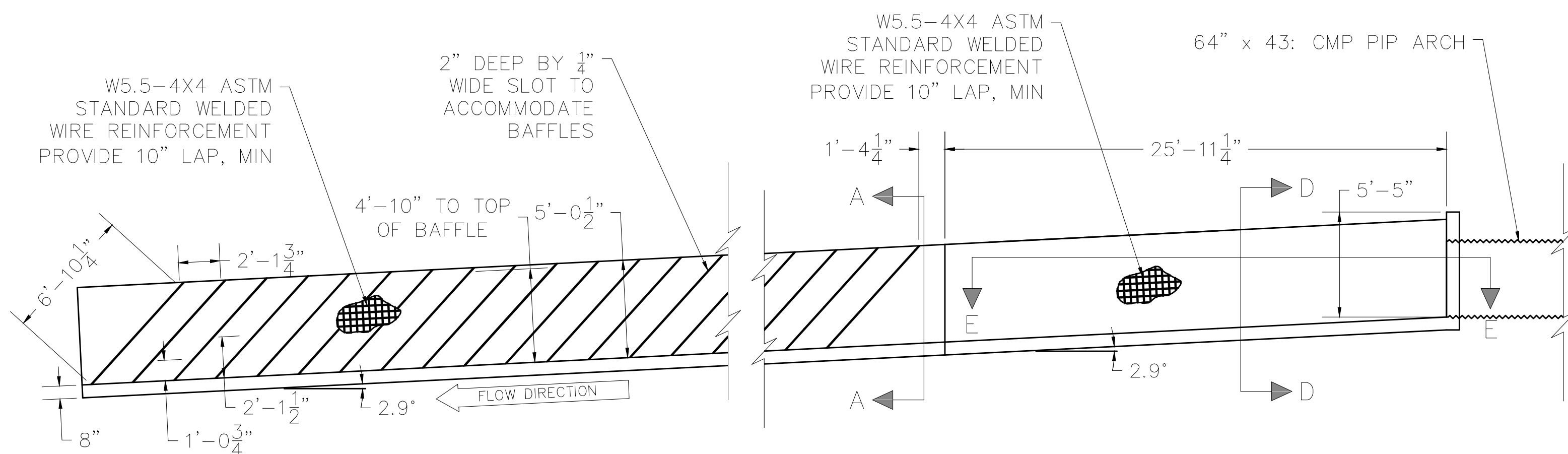
SECTION AA  
BAFFLE AND CONCRETE DETAIL



DETAIL B  
FISH PASS PERSPECTIVE



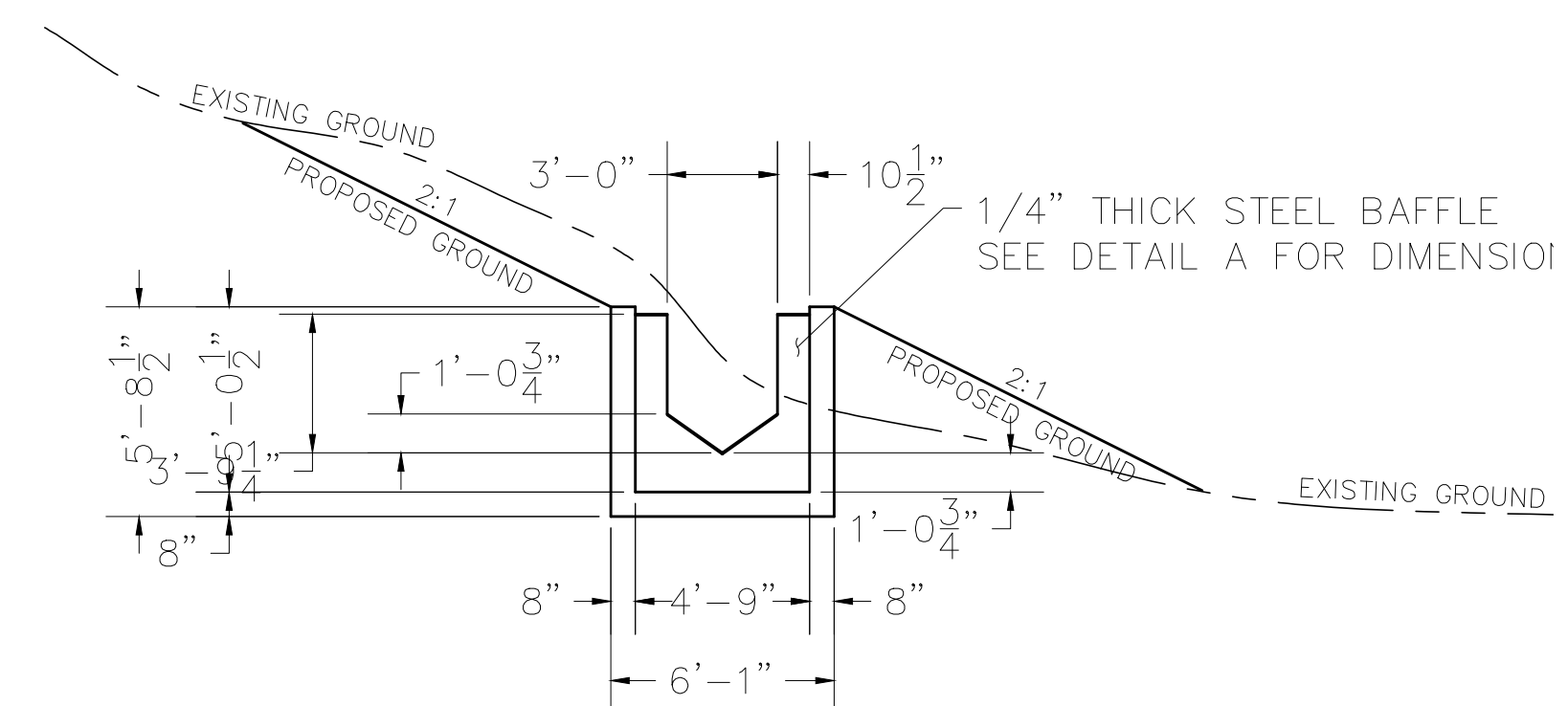
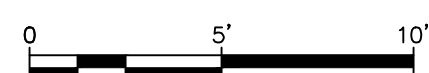
DETAIL A  
BAFFLE DIMENSIONS



SECTION BB



SECTION CC



SECTION AA



General Notes

1. 6 inch PVC water stop will be installed on all concrete joints.

No.	Revision/Issue	Date

Firm Name and Address  
  
 BUJ Civil & Environmental Engineering  
 Northern Arizona University  
 College of Engineering, Forestry, and  
 Natural Sciences  
 Flagstaff, Arizona 86001

Project Name and Address  
 Dimond-S Ditch Fish Pass  
 Camp Verde  
 Arizona

Project	0001	Sheet	D1
Date	4/15/2013		
Scale	As Noted		